

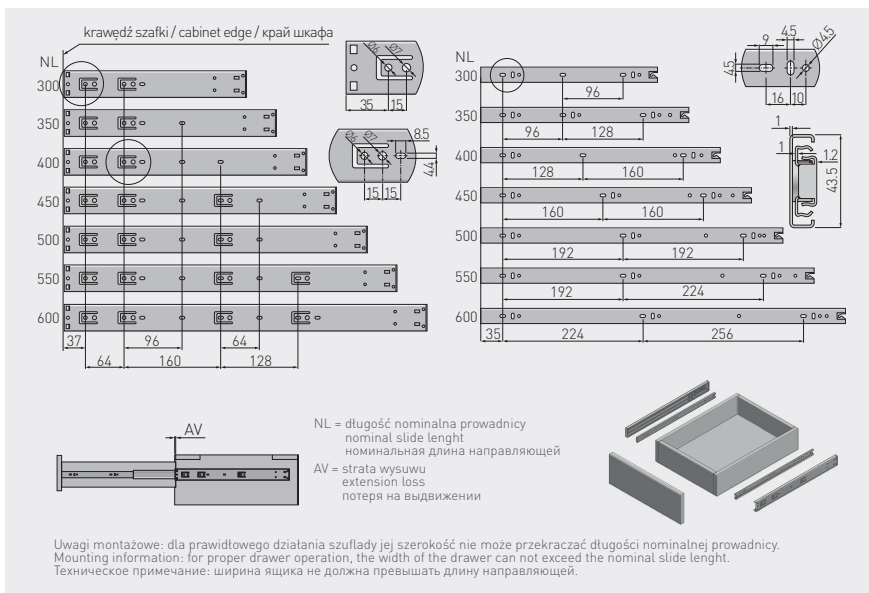
Prowadnica kulkowa push to open H45 GX  
 Ball bearing slide push to open H45 GX  
 Шариковая направляющая push to open H45 GX



Możliwość zastosowania stabilizatora PB-D-P20STAB

Can be used with stabilizer PB-D-P20STAB

Возможность использования стабилизатора PB-D-P20STAB



|                 | L<br>mm | AV<br>mm |                         | kg |                                   |                        |
|-----------------|---------|----------|-------------------------|----|-----------------------------------|------------------------|
| PK-P-H45-300-GX | 300     | 30       | petny<br>full<br>полное | 25 | ocynk<br>galvanized<br>гальваника | stal<br>steel<br>сталь |
| PK-P-H45-350-GX | 350     | -        |                         |    |                                   |                        |
| PK-P-H45-400-GX | 400     |          |                         |    |                                   |                        |
| PK-P-H45-450-GX | 450     |          |                         |    |                                   |                        |
| PK-P-H45-500-GX | 500     |          |                         |    |                                   |                        |
| PK-P-H45-550-GX | 550     |          |                         |    |                                   |                        |
| PK-P-H45-600-GX | 600     |          |                         |    |                                   |                        |

